

DESIGNED TO BE WORRY-FREE

With tough construction and rugged good looks, Hiny Hiders partitions offer durability that will save customers time, hassle, and maintenance costs. Hiny Hiders partitions offer superior value that simply can't be beat by the competition.

Benefits of Hiny Hiders Bathroom Partitions:

- Durable and dent, mold, scratch and graffiti resistant
- Easy to clean and low maintenance
- Never rusts, corrodes, or delaminates
- Never needs painting

HDPE materials are also resistant to scratches, dents, and writing/graffiti. They don't need to be repainted, which results in less volatile organic compounds in the air. These partitions help keep your air quality favorable while providing a comfortable environment for occupants.

WHY HINY HIDERS?

Facility managers choose Hiny Hider Commercial Bathroom Partitions for the following reasons:

- Durable HDPE material
- Large selection of colors and textures
- Customizable partitions and engravable
- Fire rating options
- Three ADA compliant configurations
- 25-year limited warranty

BATHROOM PARTITIONS
LOCKERS
LOCKER ROOM BENCHES
SHOWER CUBICLES
DRESSING COMPARTMENTS
VANITIES

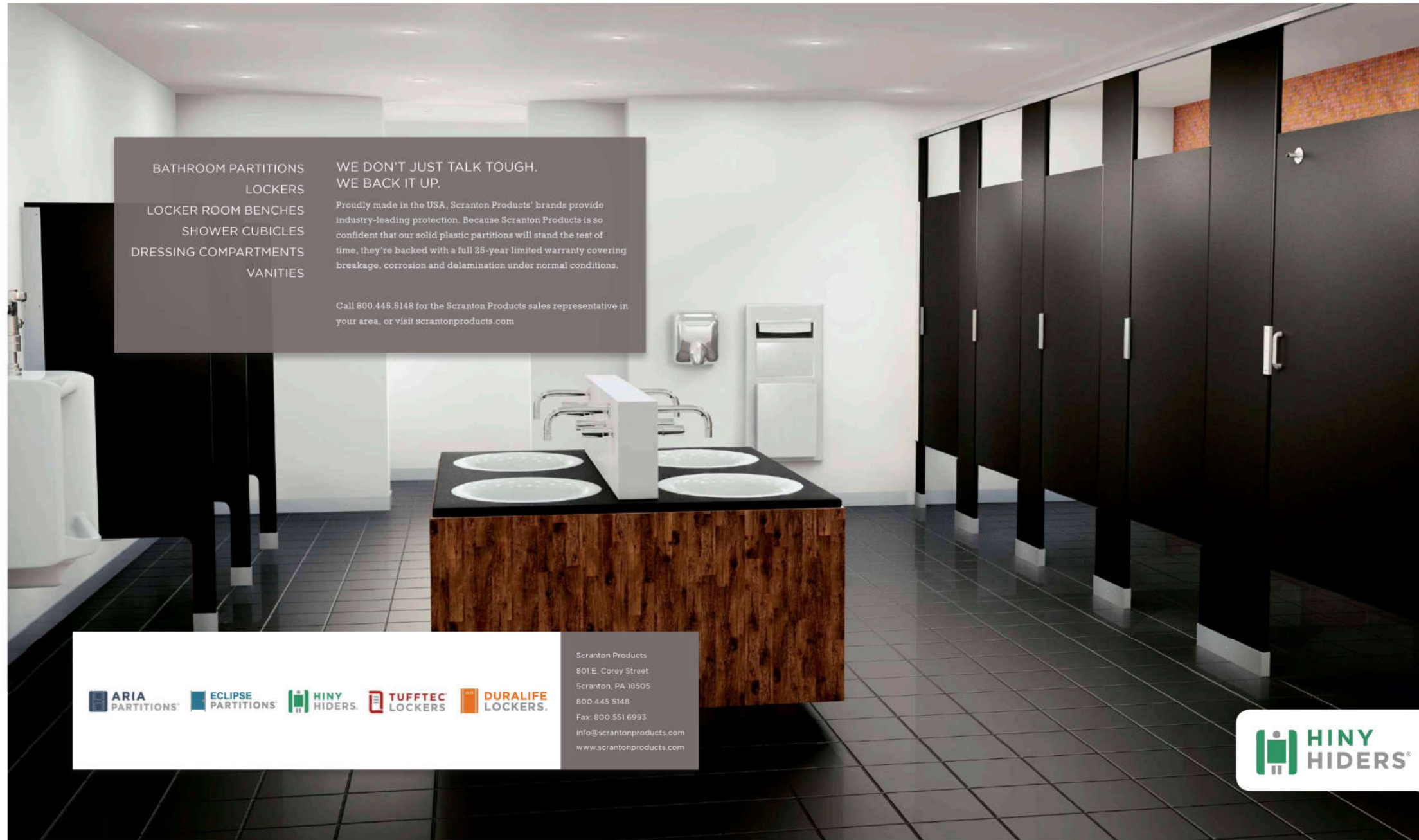
WE DON'T JUST TALK TOUGH.
WE BACK IT UP.

Proudly made in the USA, Scranton Products' brands provide industry-leading protection. Because Scranton Products is so confident that our solid plastic partitions will stand the test of time, they're backed with a full 25-year limited warranty covering breakage, corrosion and delamination under normal conditions.

Call 800.445.5148 for the Scranton Products sales representative in your area, or visit scrantonproducts.com



Scranton Products
801 E. Corey Street
Scranton, PA 18505
800.445.5148
Fax: 800.551.6993
info@scrantonproducts.com
www.scrantonproducts.com
























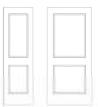
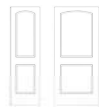


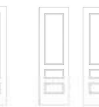


THE POSSIBILITIES ARE LIMITLESS.

STANDARD / HARDWARE COLLECTION

To complement the appearance of your interior, Scranton Products offers an array of great-looking hardware options. Whichever style you choose, rest assured it will match the toughness of our partitions and deliver years of worry-free service.




| | | | | | | | |
|---|--|--|--|--|--|--|--|
| Continuous Bracket 54" Plastic, Aluminum* 54" or 68", or Stainless Steel* Double Ear  Single Ear  | | Strikes 6" Aluminum  54", 71" Continuous Aluminum*  3" Stainless Steel emergency access  | | | | | |
| Stirrup Brackets Aluminum or Stainless Steel Double Ear  Single Ear  | | Head Rail Aluminum  | | Latches Aluminum or Stainless Steel**  Occupancy Indicator  | | Shoes Plastic Pilaster**  Stainless Steel  | |
| Hinges 8" Wrap Around  54", 71", 65" Continuous Aluminum*  54", 65", Continuous Stainless Steel Helix*  54", Continuous Stainless Steel Spring Loaded*  | | Stealth Integral Hinge  Regal Hinge  Vault Hinge  | | | | | |

* Optional hardware ** Stainless steel option varies from aluminum hardware shown. ** Limited colors available.

| | | | | | | |
|---|---|---|---|---|---|---|
| Signature Door Panel Engraving Options | | | | | | Optional Side Panel Engraving |
|  |  |  |  |  |  |  |
| Traditional 2600 | Traditional 2800 | Modern 3000 | Modern 3200 | Modern 3800 | Modern 4000 | Two Panel |

| | | |
|---|---|---|
| Height Options | | |
|  |  |  |
| 55" Standard | 66" High* | 72" Extra High* |

*Modular panel may be required if stall depth is greater than 55".

| | | |
|---|---|---|
| Configuration Options | | |
|  |  |  |
| Floor Mounted Overhead Braced | Floor to Ceiling | Ceiling Hung |

FIRE RATING
 Whether your fire rating needs are NFPA 286, Class A, or Class B, we have the material to match.

†† Limited colors available.